

| | | | |
|-------------|-----|------|---------|
| Version | 2.0 | Date | 4/25/18 |
| Prepared By | JC | | |

PRODUCT SPECIFICATION

| | |
|----------------------|--------------------|
| Category | HID Retrofit Kit |
| Item Number | 7612 |
| Stock Code | LED-RKIT200HID/40K |
| Mounting | Yoke / E39 |
| Housing Color | Black |



| ELECTRICAL CHARACTERISTICS | | | |
|----------------------------|----------|-------------------------|---------|
| Rated Wattage (W) | 200 | Replacement Wattage (W) | 400-575 |
| Tested Wattage (W) | 200 | | |
| Input Voltage (V) | 120-277V | Surge Protect Level | 4KV |
| Voltage Frequency (Hz) | 50/60 | Dimmable | 1-10V |
| Input Current (A) | 2 | AUX (12V) Line | - |
| Power Factor | >0.9 | | |
| THD | <20% | | |

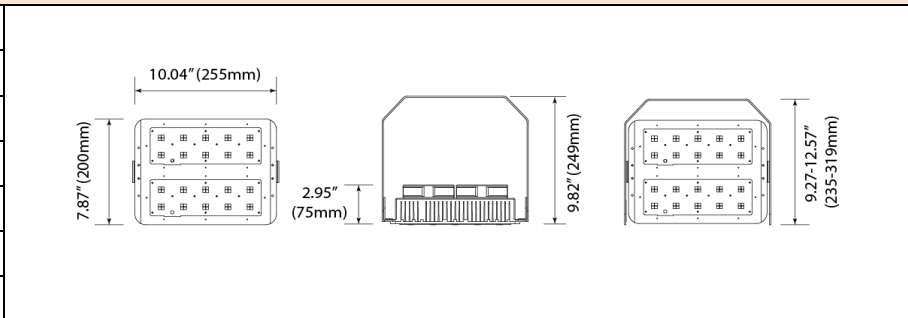
| PHOTOMETRIC CHARACTERISTICS | | | |
|-----------------------------|--------|----------------|--------|
| Lumen (lm) | 28,678 | CCT (K) | 4000K |
| Efficacy (lm/w) | 143 | Beam Angle (°) | Type 5 |
| CRI | >70 | | |

| GENERAL CHARACTERISTICS | |
|----------------------------|--------------|
| Operating Temperature (°F) | -22°F ~ 122° |
| Storage Temperature (°F) | -22°F ~ 140° |
| IP Rating | - |
| IK Rating | - |
| Rated Life (Hrs) | 50,000 |
| Warranty (Yrs) | 5 |

| ACCESSORIES | | |
|-------------|------------|-------------|
| Item # | Stock Code | Description |
| | | |
| | | |
| | | |
| | | |
| | | |

PRODUCT DIMENSIONS

| | |
|----------------------|--------------------|
| Width- in / (mm) | 10.04" 255 |
| Height- in / (mm) | 7.87" 200 |
| Depth- in / (mm) | 2.95" 75 |
| EPA (ft²) | - |
| Weight (lbs) | 8.45 |
| Mounting Height (ft) | - |
| Cable Length (ft) | - |



| CERTIFICATIONS | | | |
|--------------------|----------|------|---|
| UL/ETL | ETL/cETL | CEC | |
| NSF/ETL Sanitation | | JA8 | |
| Energy Star | | FCC | ✓ |
| DLC | | RoHs | ✓ |

| DOCUMENTS | | | |
|-----------|---|-------------|---|
| LM79 | ✓ | IES File | ✓ |
| LM80 | ✓ | Dimmer List | |
| | | | |
| | | | |

COMMENTS

| |
|--|
| |
|--|